



CAVITY WALL INSULATION



When it comes to selecting the best overall insulation product for cavity walls, LAMBDA BOARD[®] is the product of choice. No other foam insulation has the perfect combination of features so important for long term performance.

A cavity wall consists of two wythe/leaf of masonry, separated by a cavity of various dimensions. The wythes are generally tied together with corrosion resistant wall ties and are separated by an air space and a layer of insulation board on the exterior of the inner wythe. The wythes may consist of solid brick, hollow brick, structural clay tile, solid concrete, or hollow concrete units (blocks).

Members of:



CAVITY WALL INSULATION

R-VALUE PERFORMANCE

LAMBDABOARD® has the highest R-Value per mm, therefore the design U-Value of the cavity wall system can be achieved with a minimum thickness of insulation. This in turn allows the overall footprint of the building to decrease and reduces the cost of construction. Additionally, the thinner insulation helps the cavity wall to function at a higher level as it is able to efficiently remove water to the outside.

MOISTURE RESISTANT

LAMBDABOARD® is water repellent due to the impervious nature of the facings and the closed cell nature of the foam core. These properties provide long term moisture resistance.

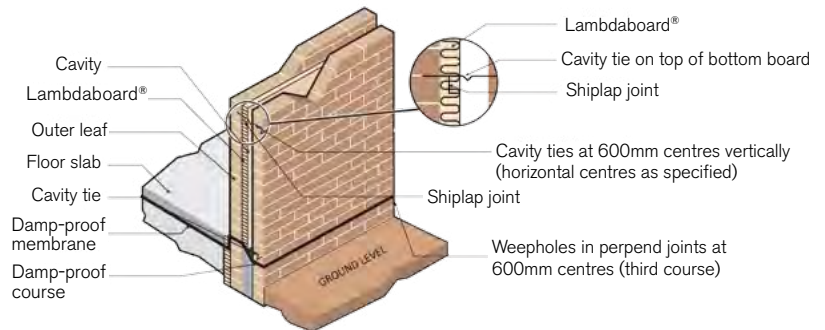
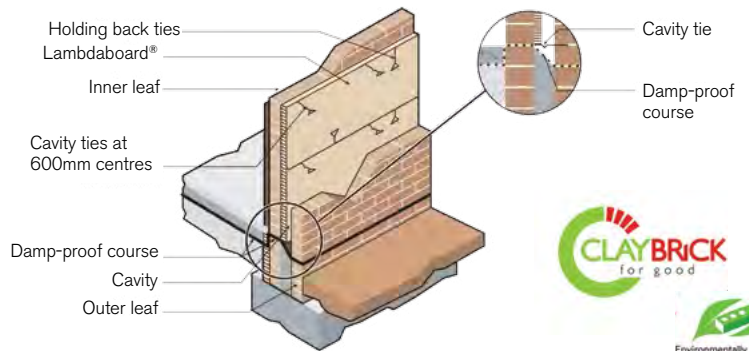
Although a cavity wall is not designed as a wet environment, a cavity wall performs by taking the small amount of water penetrating the outer wythe, draining it down the cavity face of the outer wythe to a flashing which directs the water back to the exterior. With its inherent excellent moisture resistance, LAMBDABOARD® is the perfect choice for this environment. Refer to moisture test SABS 1381-1.

EXCELLENT DIMENSIONAL STABILITY

Temperature cycling and humidity encountered in cavity wall applications does not affect LAMBDABOARD® properties such as dimensional stability and thermal performance.

SPECIFICATION FOR BOQ

LAMBDABOARD® laminated polyisocyanurate core board (density 34kg/m³), in a minimum thickness of _____ mm; faced with _____, laminate both sides. Supplied in 1220mm width. To be fixed on the inner leaf of cavity wall using cavity ties.



THE BENEFITS OF LAMBDABOARD® CAVITY WALL INSULATION



Lightweight and easy to handle.



Easy to cut and shape and can be easily detailed at the job site for proper installation.



Environmentally 'green' choice for cavity wall applications.

Head Office: 012 800 3606 | Web: www.roofinsulation.co.za | Email: info@roofinsulation.co.za

www.roofinsulation.co.za



DISAVOWAL: The customer acknowledges and understands that after delivery, the goods will have left the control of Rigifoam, and that he/she will be responsible for the unpacking of and connection/ installation of the goods. The customer acknowledges that it is his/her further responsibility to ensure that a fully qualified and competent person is used to install the goods to ensure their effective operation. Failure by the customer to ensure the installation of the goods according to the written instructions of manufacturer and/or supplier, by a fully qualified and competent person, may result in the failure of the goods, injury, loss or damages to the customer. Accordingly, and in this event, Rigifoam accepts no responsibility for any loss or damages that might arise by reason of death or personal injury to any person engaged in the installation or use of the goods thereafter subject to the provisions of the Consumer Protection Act 68 of 2008.