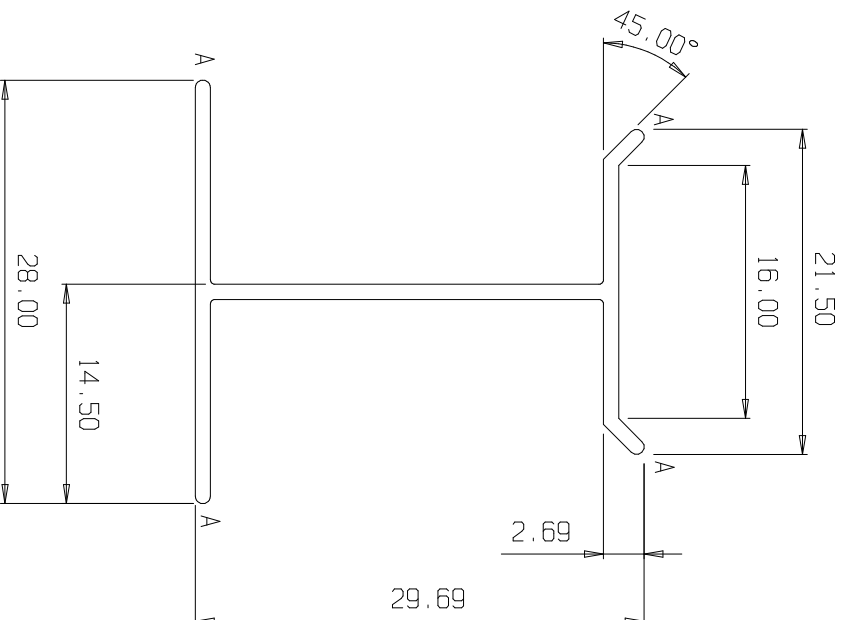


ACTUAL SIZE



F= FULL  
UNDIMENSIONED RADII'S 0.30

GENERAL TOLERANCE  
UNLESS OTHERWISE STATED  
ALL TOLERANCE ARE ± 0.30

E = EXPOSED SURFACE \* -IMPORTANT DIMENSION  
UNLESS OTHERWISE STATED  
ALL TOLERANCE ARE 0.30

|                         |             |                         |             |
|-------------------------|-------------|-------------------------|-------------|
| UNDIMENSIONED THICKNESS | 1.00 ± 0.10 | UNDIMENSIONED THICKNESS | 1.00 ± 0.10 |
| MATES WITH              |             | ENG. No                 | PRD 000221  |
| DATE                    |             | DATE DRAWN              | 02/12/2013  |
| PERM: 153               |             | EST. MASS               | 0.207       |
| AND PERM: 153           |             | CUSTOMER: D & D ROOFING |             |
| EXPOSED PERM: 153       |             | CUSTOMER APPROVAL:      |             |
| D SWANPEPEL             |             | TITLE: H SECTION        |             |
| SCALE: 2:1              |             | DATE:                   |             |
| DIE No: 6157            |             |                         |             |